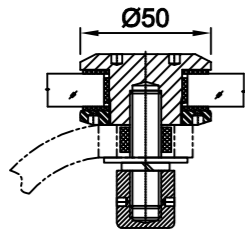
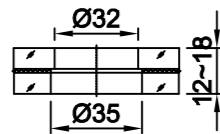


FH - B2 - M12
Flat Head Fixed Bolt
 (different glass thickness)

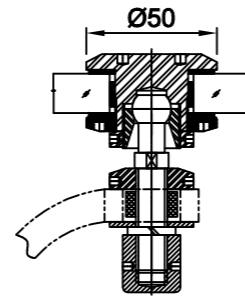


Glass Hole Typical Detail
For Laminated Glass

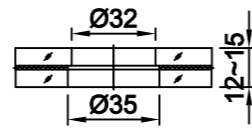


For Tempered Glass : Min. Ø32

FH - AB - M12
Flat Head Articulated Bolt
 (different glass thickness)

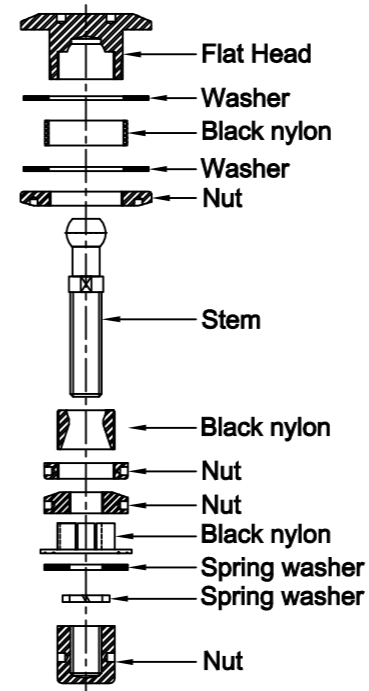


Glass Hole Typical Detail
For Laminated Glass

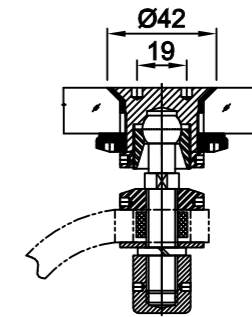


For Tempered Glass : Min. Ø32

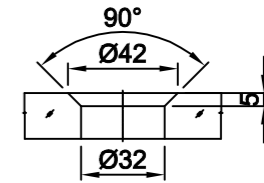
Bolt's Assemblies



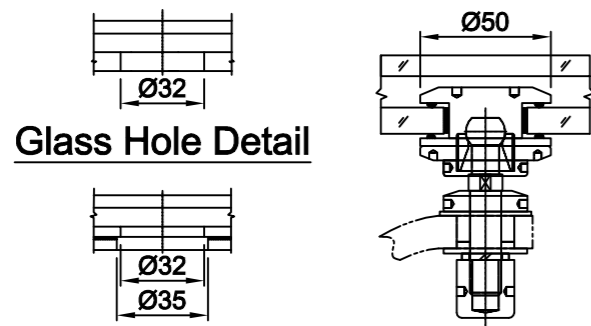
CS-AB-M12
Countersunk Articulated Bolt
 (different glass thickness)



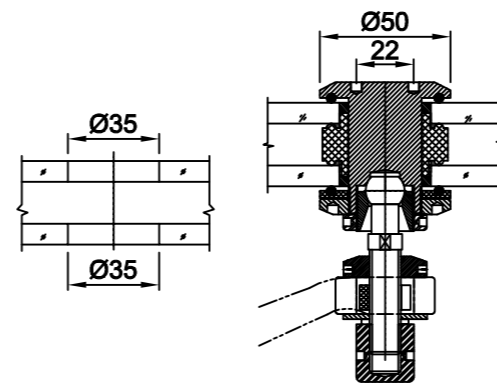
Glass Hole Typical Detail



DG1-AB-M12
Double Glazed Articulated Bolt
 (different glass thickness)



DG2-AB-M12
Double Glazed Articulated Bolt
 (different glass thickness)



DORION Bulgaria
 1750 Sofia, Bulgaria
 4A "Stoyan Chomakov" Str.,
 Ground Floor, Office 24
office@dorion.bg
www.dorion.bg

ДОРИОН България
 1750 София, България
 ул. "Д-р Стоян Чомаков"
 4А партер, офис 24
office@dorion.bg
www.dorion.bg

Чертал / Drawer:	Николай Дончев	Обект / Project:	Болтове за спайдери Bolts for Spiders
Мащаб / Scale:	1:1		
Лист / Paper:	A0	Чертеж / Drawing:	Bolts
Дата / Date:	21.12.2015		