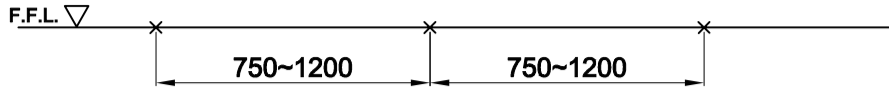
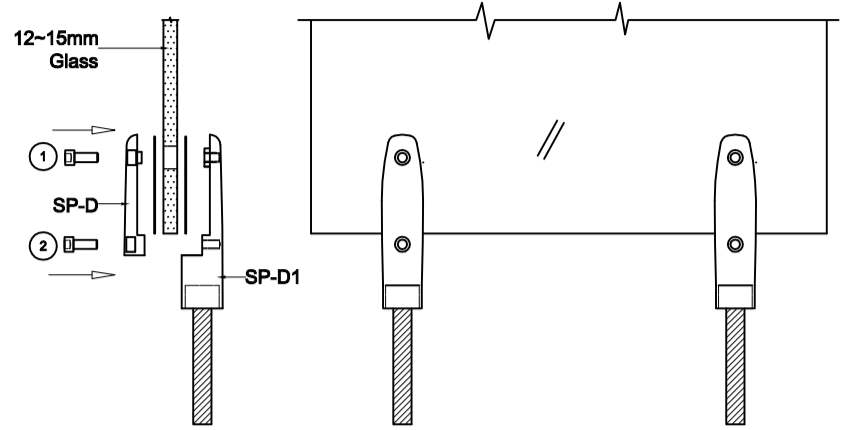


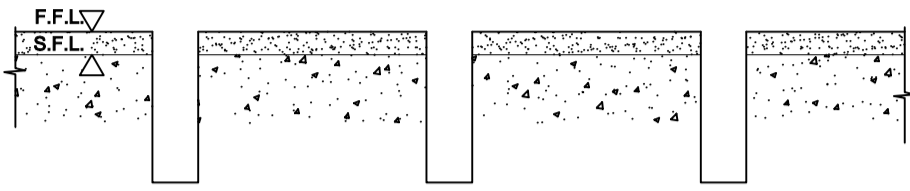
Step - 1 : Mark out distance of spigot



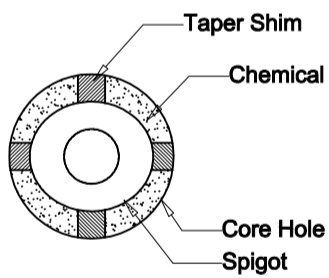
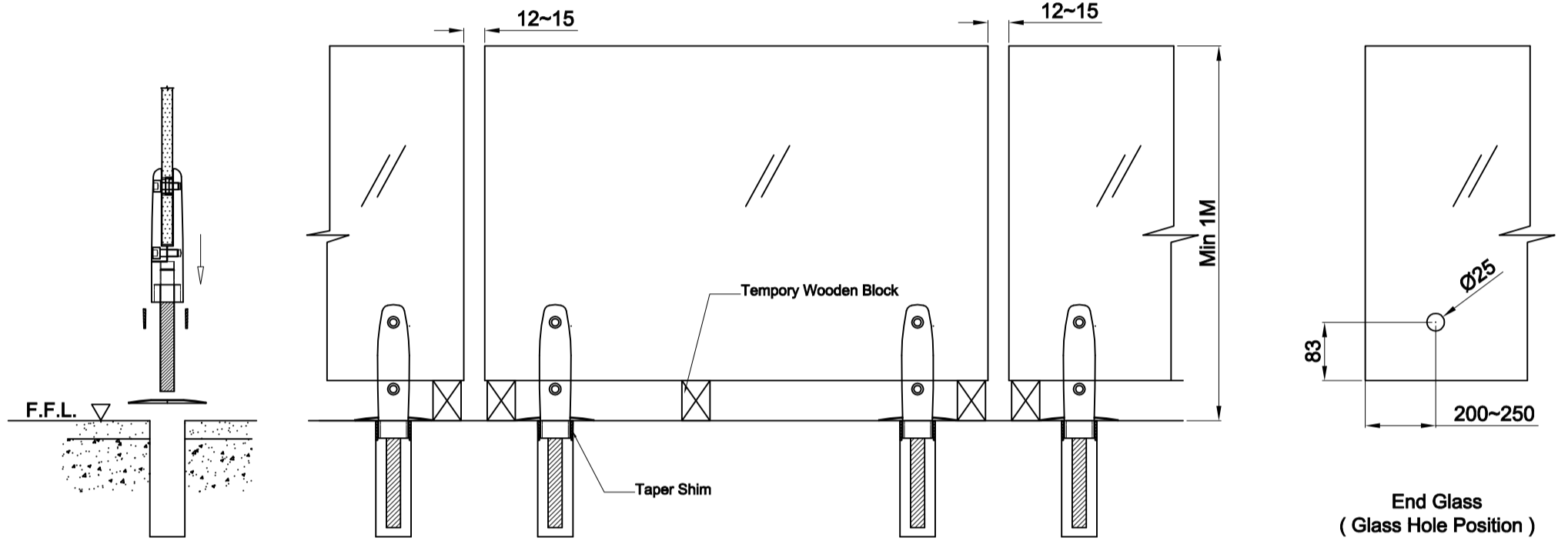
Step - 3 : Fixed spigot onto glass and tighten bolts 1 & 2 equally



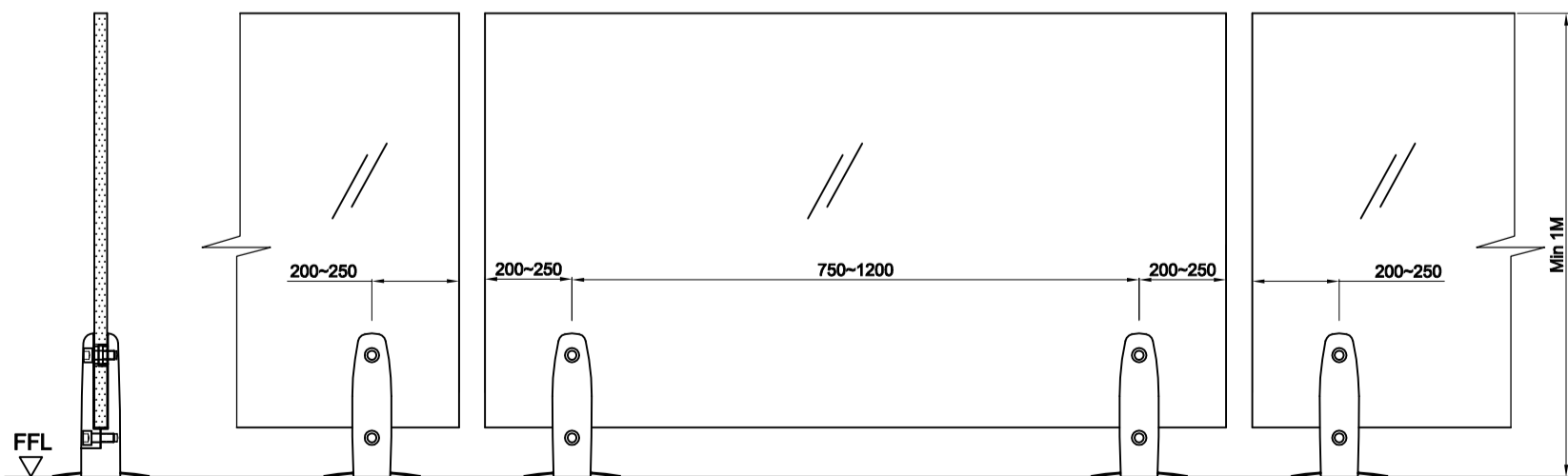
Step - 2 : Core hole



Step - 4 : Install glass (with spigot) into core hole. Using Wooden blocks and shim, align spigots.



Step - 5 : Once all the glasses are properly aligned pour chemical into hole



Step - 6 : Once the chemical sets, remove shim & wooden blocks, check and clear glasses