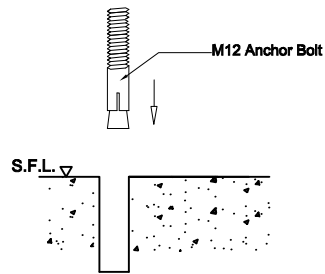
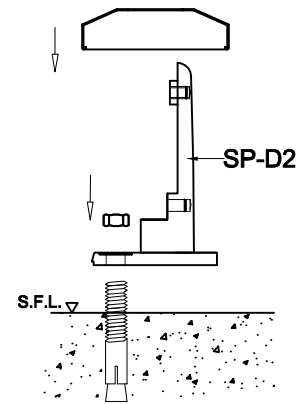


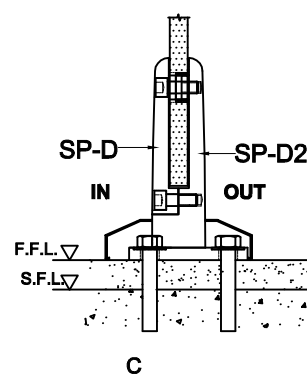
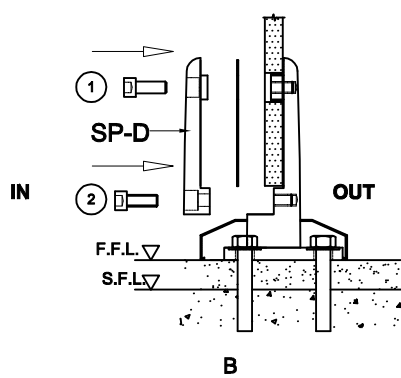
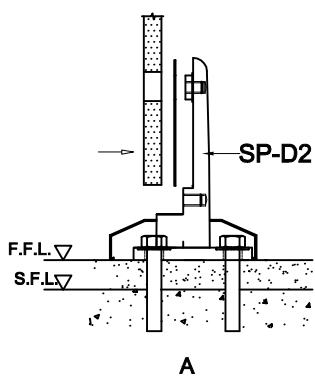
Step - 1 : Mark out distance of spigot Base plate



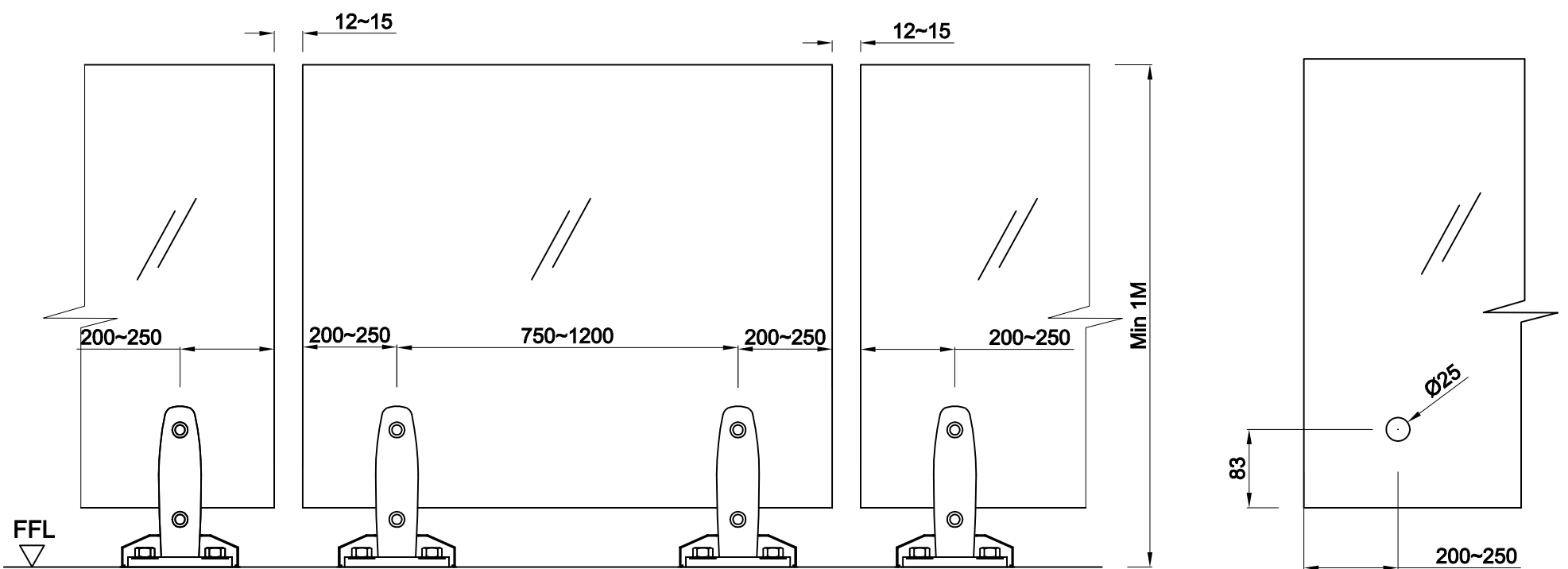
Step - 2 : Drill holes for M12 Anchor Bolt & Fix anchor bolts.



Step - 3 : Fix spigot and install cover.



Step - 4 : Fixed glass and tighten bolt 1 & 2 equally



Step - 5 : After alignment - Tighten Anchor Bolts

End Glass ( Glass Hole Position )