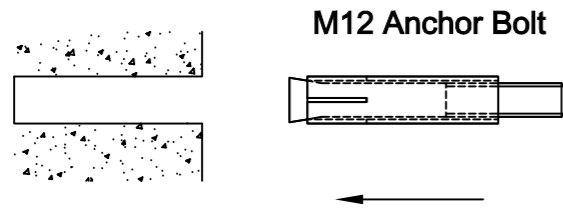
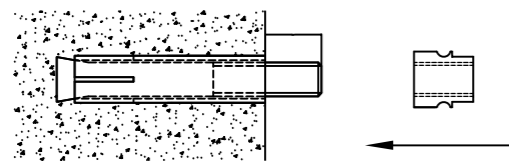


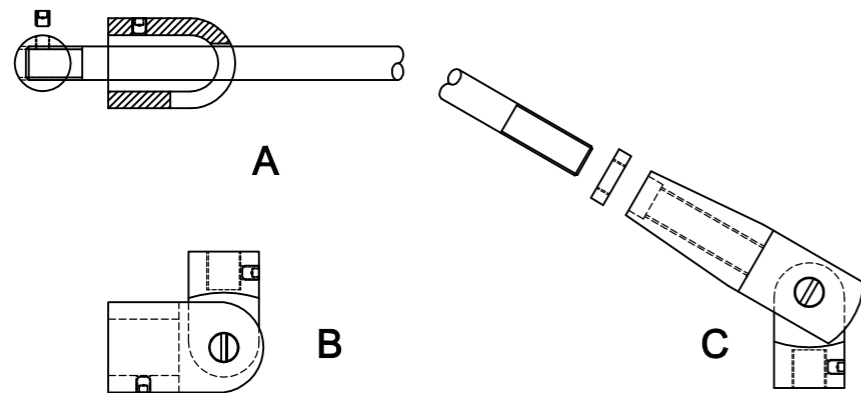
1: Mark out locations of Anchor Bolts



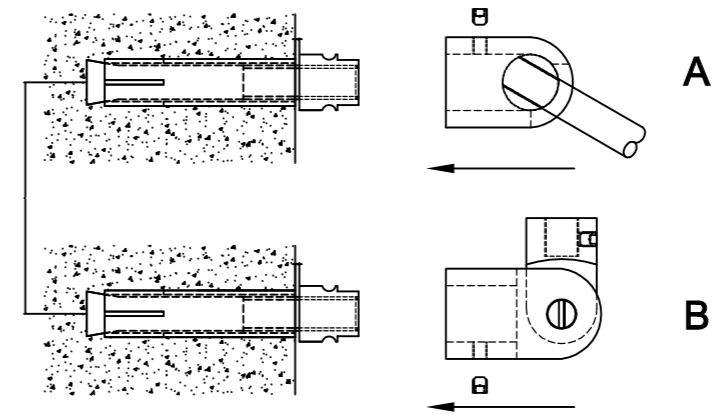
2: Drill Hole for M12 Anchor Bolt & Fix Anchor Bolt



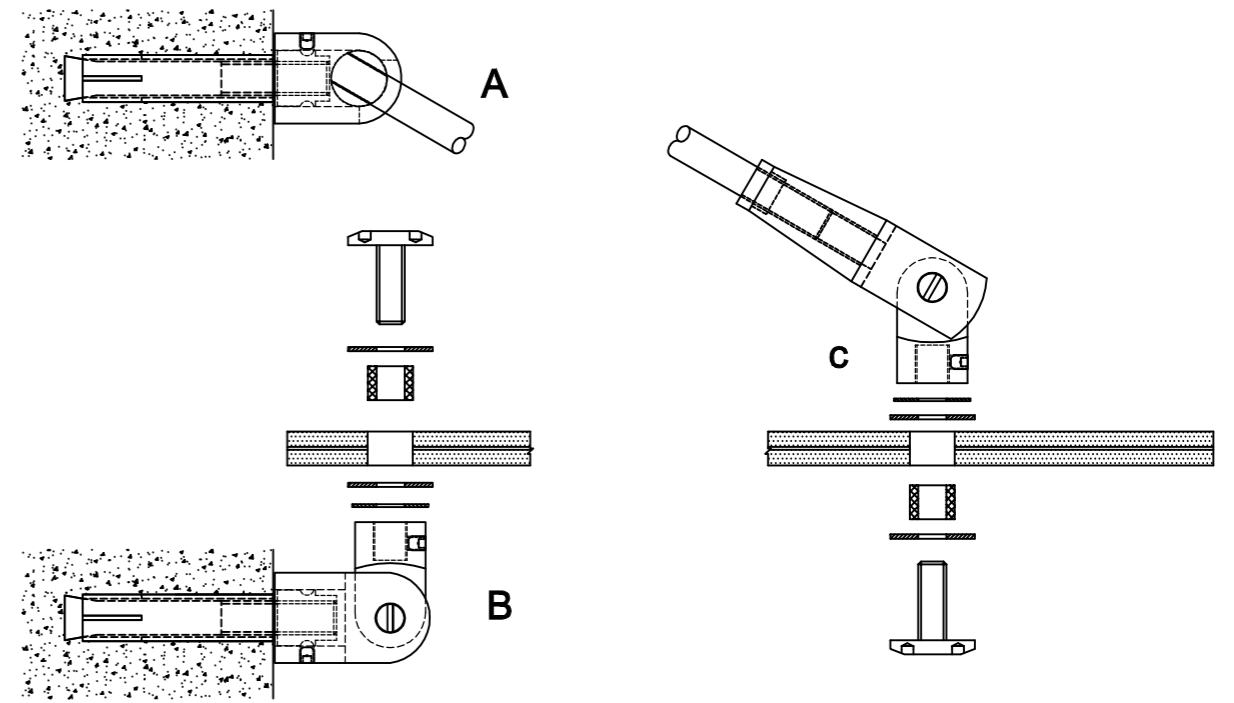
3: Fix Bush onto Anchor Bolt & Tighten



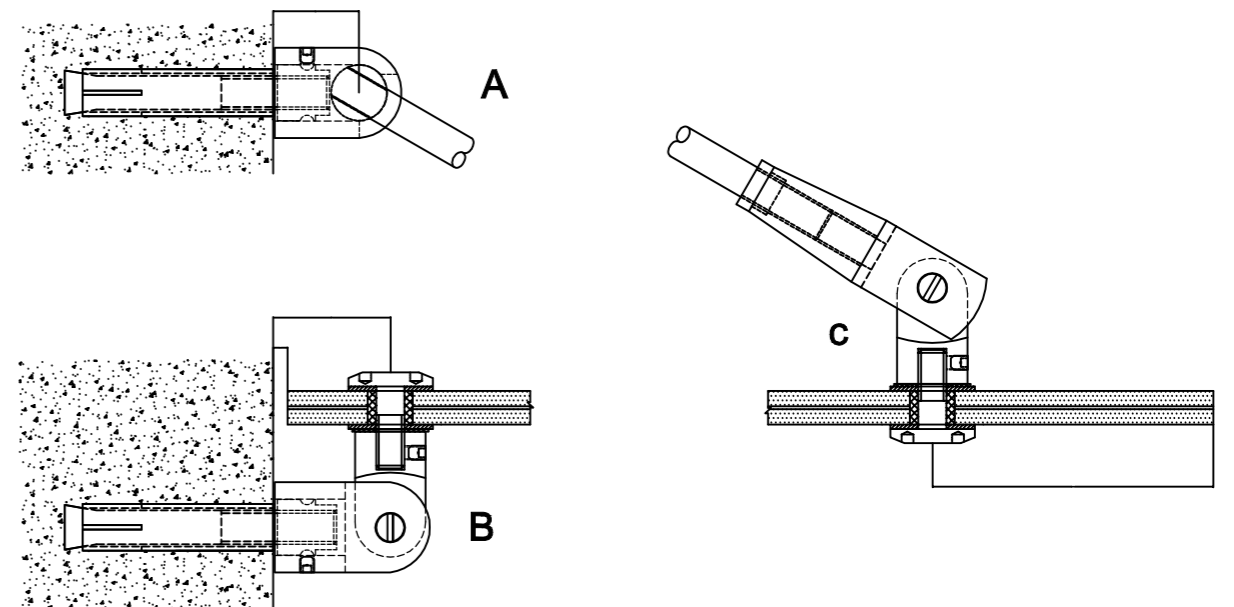
4: Assemble all parts as shown



5: Fix top parts A & bottom parts B onto bush by set screw



6: Fix glass with Flat Head Bolt as shown



7: Adjust Glass level by tightening the rod

**NOTE:** All glass holes are  $\text{Ø}20\text{mm}$  diameter.