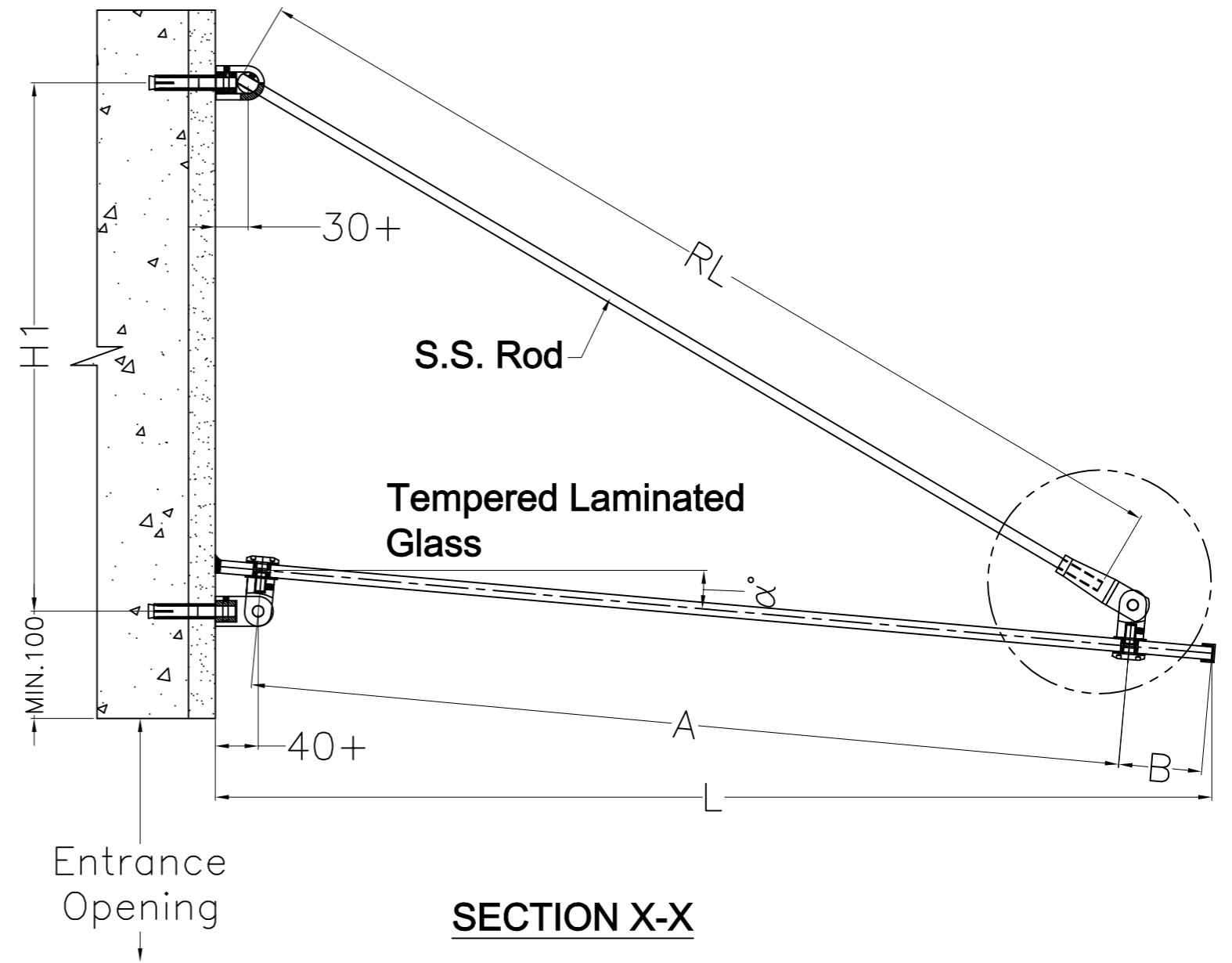


PLAN



SECTION X-X

Type	A	B	L	D	W	H1	RL (mm)		Glass Thickness (mm)	Rod Diameter (mm)	Max. Wind Pressure (KN/m ²)	Angle (α°)	
							No Snow	Snow				No Snow	Snow
1A	900	>100 ~	1000 ~ 1150	600	>800 ~	450	1010	1070	13.52	12	1.25	5~10	15
1B	1100		1200 ~ 1350	~		550	1240	1320	13.52	12	1.00	5~10	15
1C	1350	<250	1400 ~ 1550	1200	<1700	650	1520	1610	15.52	16	1.00	5~10	15

For all Over Head Glazing, Tempered Laminated (Heat Soak Tested) Glass must be used!

IMPORTANT NOTE:

The table is only our recommended guide. Proper structural calculation has to be done by a professional engineer for every project.

Note:

1. This table comply to AS:1288-2006, BS 5950.1-2000 & BS 6399.2-1997.
2. We recommend all tempered/toughened glass to be heat soak tested to minimise spontaneous breakage.