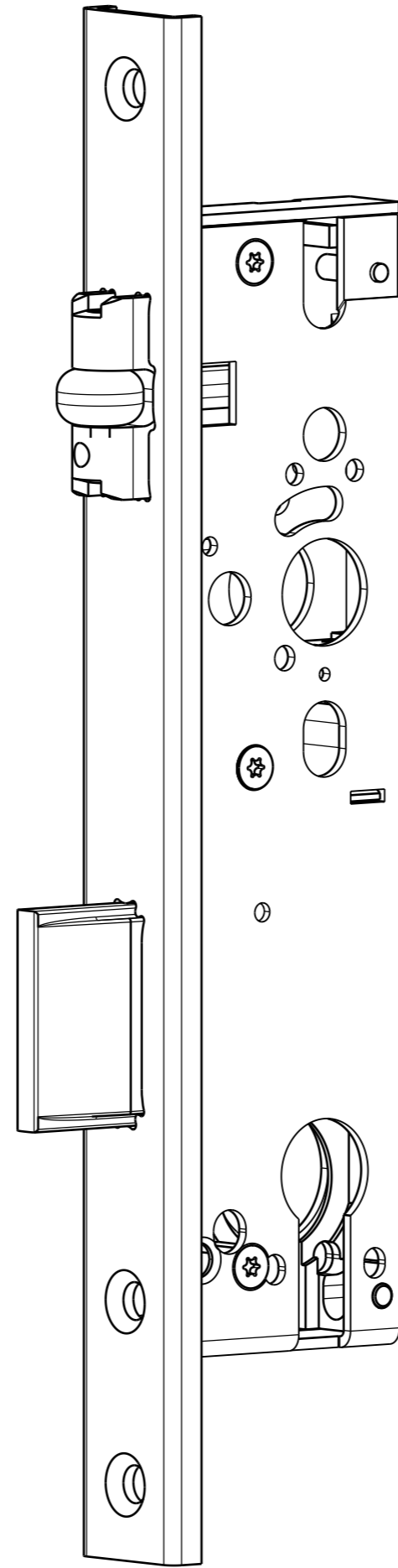




Proprietary rights apply in accordance with ISO 16016.



B_1315_0033_KD01